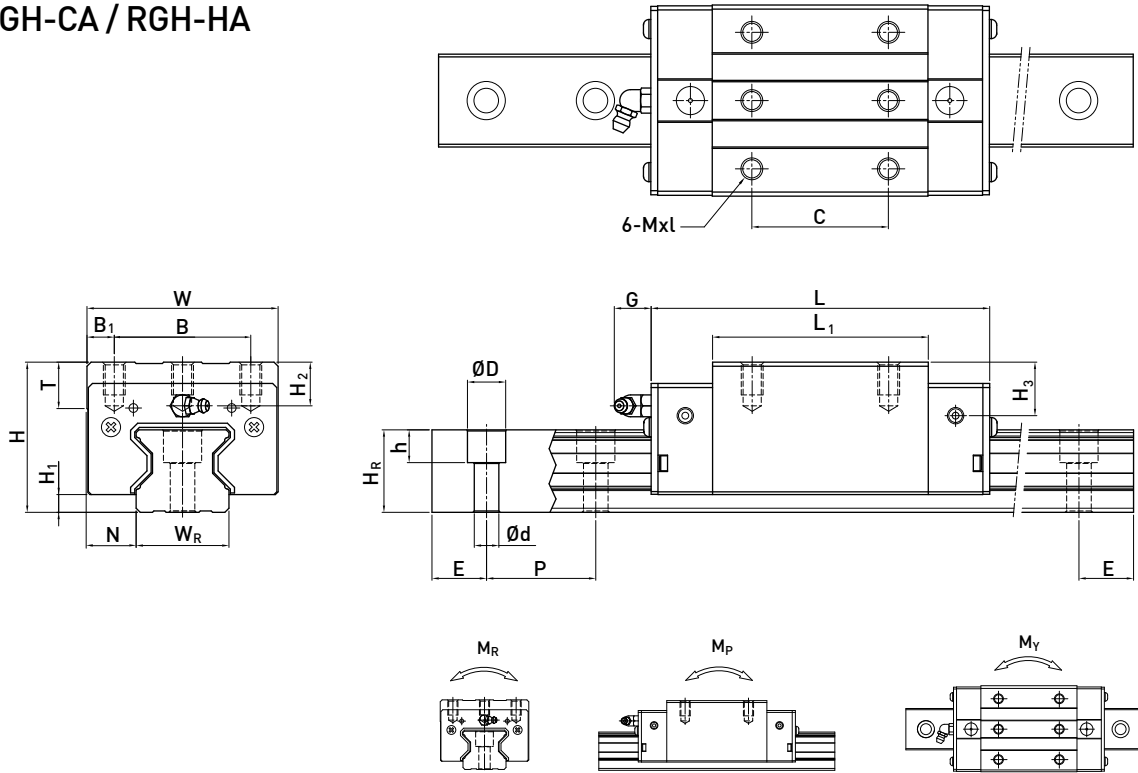


Linear Guideways

RG Series

2-4-12 Dimensions for RG series

(1) RGH-CA / RGH-HA



Model No.	Dimensions of Assembly (mm)			Dimensions of Block (mm)										Dimensions of Rail (mm)						Mounting Bolt for Rail (mm)	Basic Dynamic Load Rating C(kN)	Basic Static Load Rating C ₀ (kN)	Static Rated Moment			Weight					
	H	H ₁	N	W	B	B ₁	C	L ₁	L	G	Mxl	T	H ₂	H ₃	W _R	H _R	D	h	d				P	E	M _R	M _P	M _Y	Block kg	Rail kg/m		
																												kN-m	kN-m	kN-m	kg
RGH 25CA	40	5.5	12.5	48	35	6.5	35	64.5	97.9	12	M6x8	9.5	10.2	10	23	23.6	11	9	7	30	20	M6x20	27.7	57.1	0.758	0.605	0.605	0.55	3.08		
RGH 25HA							50	81	114.4														33.9	73.4	0.975	0.991	0.991	0.7			
RGH 35CA							50	79	124	12	M8x12	12	16	19.6	34	30.2	14	12	9	40	20	M8x25	57.9	105.2	2.17	1.44	1.44	1.43	6.06		
RGH 35HA	55	6.5	18	70	50	10	72	106.5	151.5														73.1	142	2.93	2.6	2.6	1.86			
RGH 45CA							60	106	153.2	12.9	M10x17	16	20	24	45	38	20	17	14	52.5	22.5	M12x35	92.6	178.8	4.52	3.05	3.05	2.97	9.97		
RGH 45HA	70	8	20.5	86	60	13	80	139.8	187														116	230.9	6.33	5.47	5.47	3.97			
RGH 55CA							75	125.5	183.7	12.9	M12x18	17.5	22	27.5	53	44	23	20	16	60	30	M14x45	130.5	252	8.01	5.4	5.4	4.62	13.98		
RGH 55HA	80	10	23.5	100	75	12.5	95	173.8	232														167.8	348	11.15	10.25	10.25	6.4			

Note : 1 kgf = 9.81 N