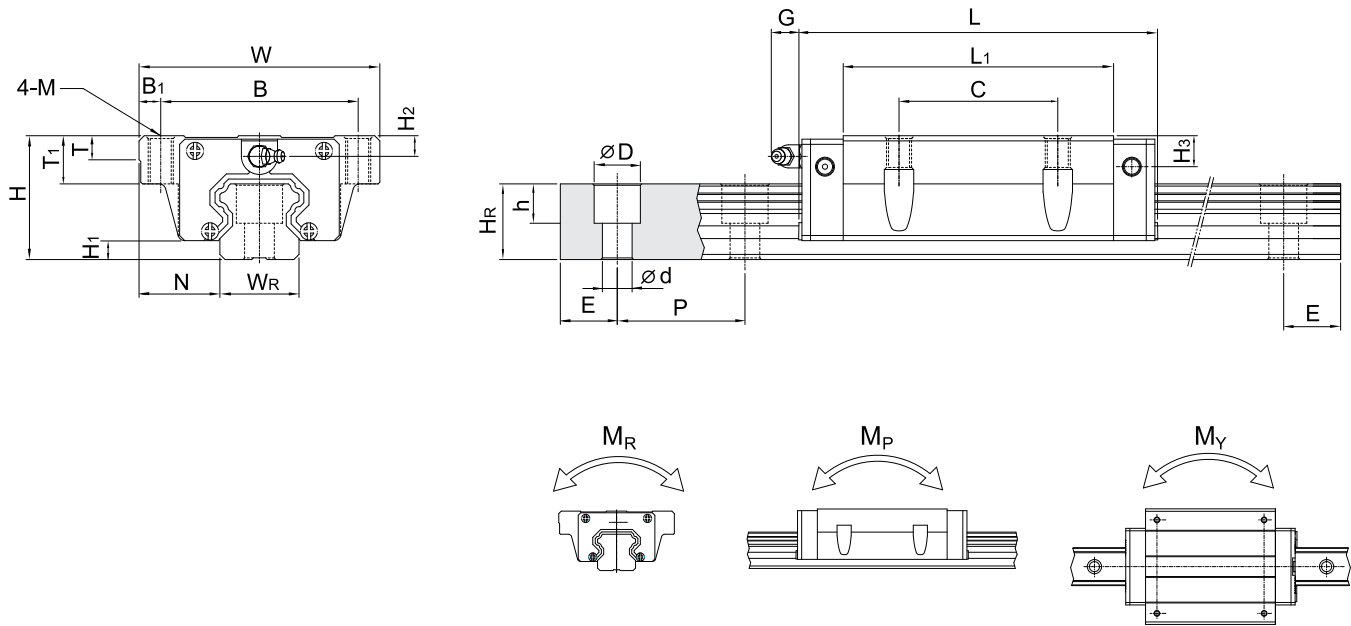


(2) QHW-CA / QHW-HA



Model No.	Dimensions of Assembly (mm)			Dimensions of Block (mm)													Dimensions of Rail (mm)					Mounting Bolt for Rail (mm)	Basic Dynamic Load Rating C(kN)	Basic Static Load Rating C ₀ (kN)	Static Rated Moment			Weight		
	H	H ₁	N	W	B	B ₁	C	L ₁	L	G	M	T	T ₁	H ₂	H ₃	W _R	H _R	D	h	d	P				E	M _R	M _P	M _Y	Block	Rail
	kN-m	kN-m	kN-m	kg	kg/m																									
QHW15CA	24	4	16	47	38	4.5	30	39.4	61.4	5.3	M5	6	8.9	4.5	5.8	15	15	7.5	5.3	4.5	60	20	M4x16	10.18	21.42	0.14	0.12	0.12	0.17	1.45
QHW20CA	30	4.6	21.5	63	53	5	40	50.5	77.5	12	M6	8	10	6	7	20	18	9.5	8.5	6	60	20	M5x16	16.83	34.93	0.38	0.26	0.26	0.40	2.21
QHW20HA								65.2	92.2															19.49	43.09	0.42	0.30	0.30	0.52	
QHW25CA	36	5.5	23.5	70	57	6.5	45	58	85	12	M8	8	14	6	8.5	23	22	11	9	7	60	20	M6x20	25.10	51.87	0.59	0.48	0.48	0.59	3.21
QHW25HA								78.6	105.6															30.13	67.06	0.77	0.58	0.58	0.80	
QHW30CA	42	6	31	90	72	9	52	70	97.4	12	M10	8.5	16	6.5	6	28	26	14	12	9	80	20	M8x25	36.72	76.67	0.97	0.81	0.81	1.09	4.47
QHW30HA								93	120.4															45.40	103.65	1.32	1.12	1.12	1.44	
QHW35CA	48	7.5	33	100	82	9	62	80	112.4	12	M10	10.1	18	9	6.5	34	29	14	12	9	80	20	M8x25	46.95	94.96	1.60	1.13	1.13	1.56	6.30
QHW35HA								105.8	138.2															57.83	128.29	2.15	1.56	1.56	2.06	

Note : 1 kgf = 9.81 N