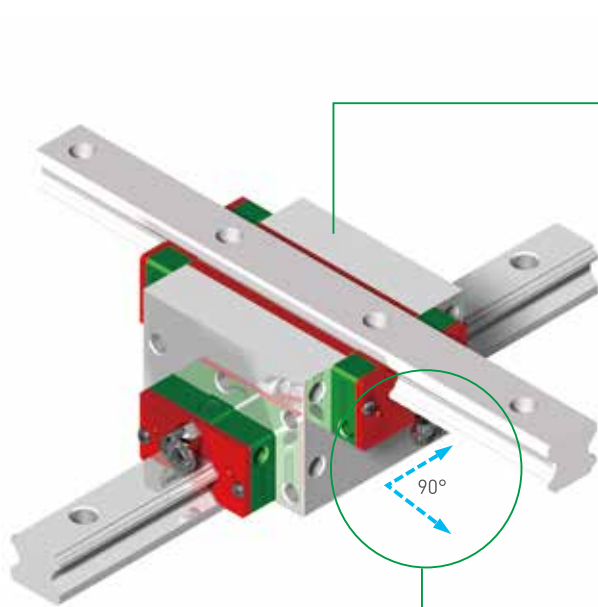


Linear Guideway  
**AG Series**



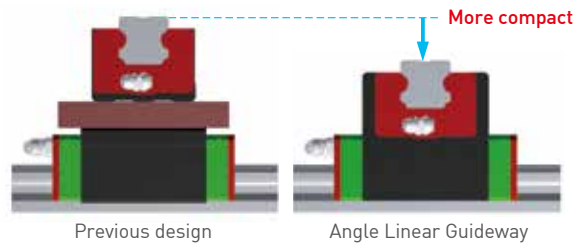
# Angle Linear Guideway

## Product Features /



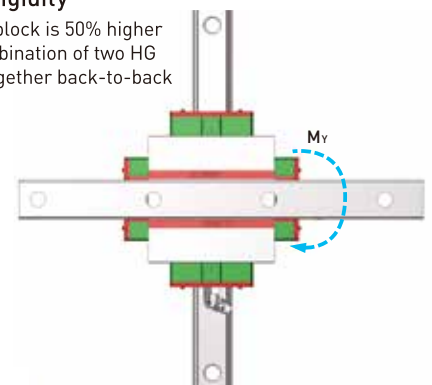
- **More compact design**

- Eliminates fastener plate for saving equipment weight and increasing work space.



- **High torsional rigidity**

- The rigidity of AG block is 50% higher than that of a combination of two HG blocks secured together back-to-back with bolts.

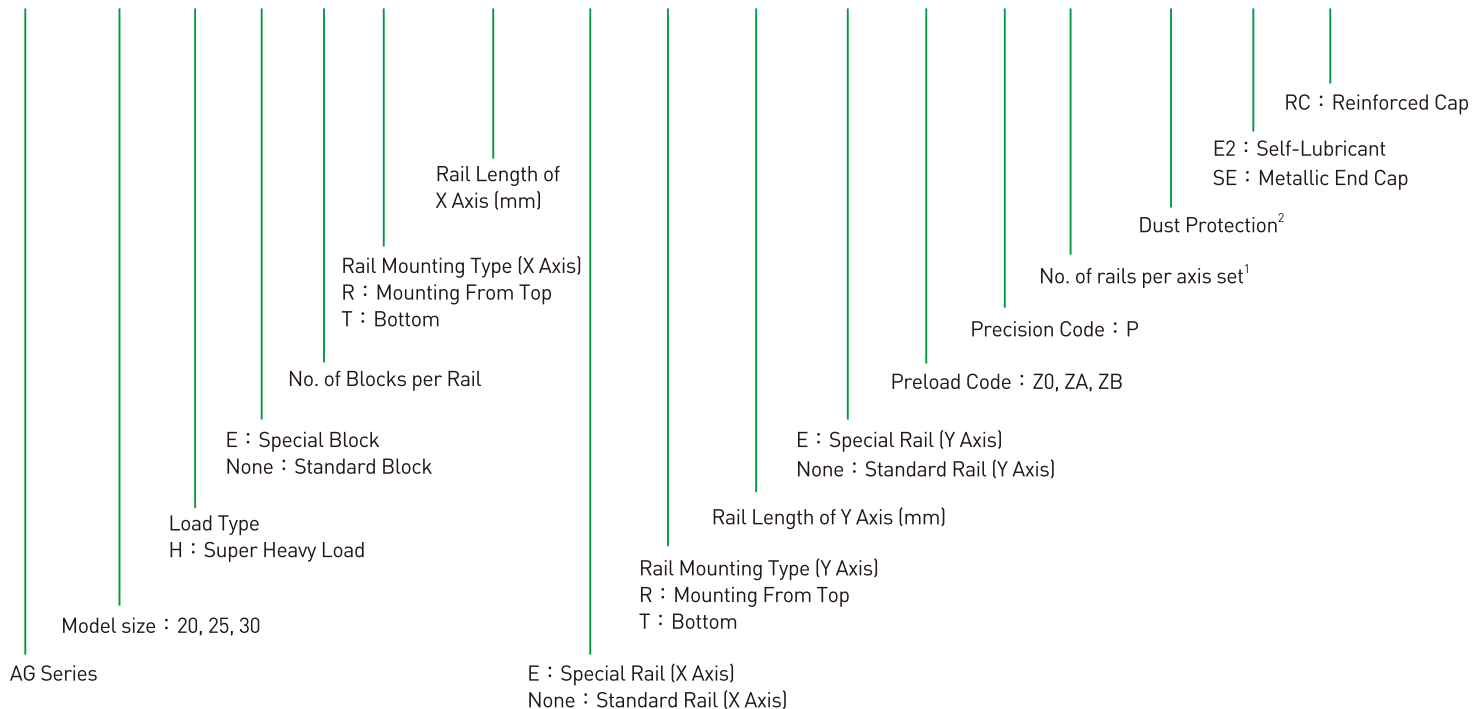


- **High positional accuracy**

- Two rails are machined with high precision in relative straightness. Extremely high accuracy in orthogonality is achieved.

## Model Number /

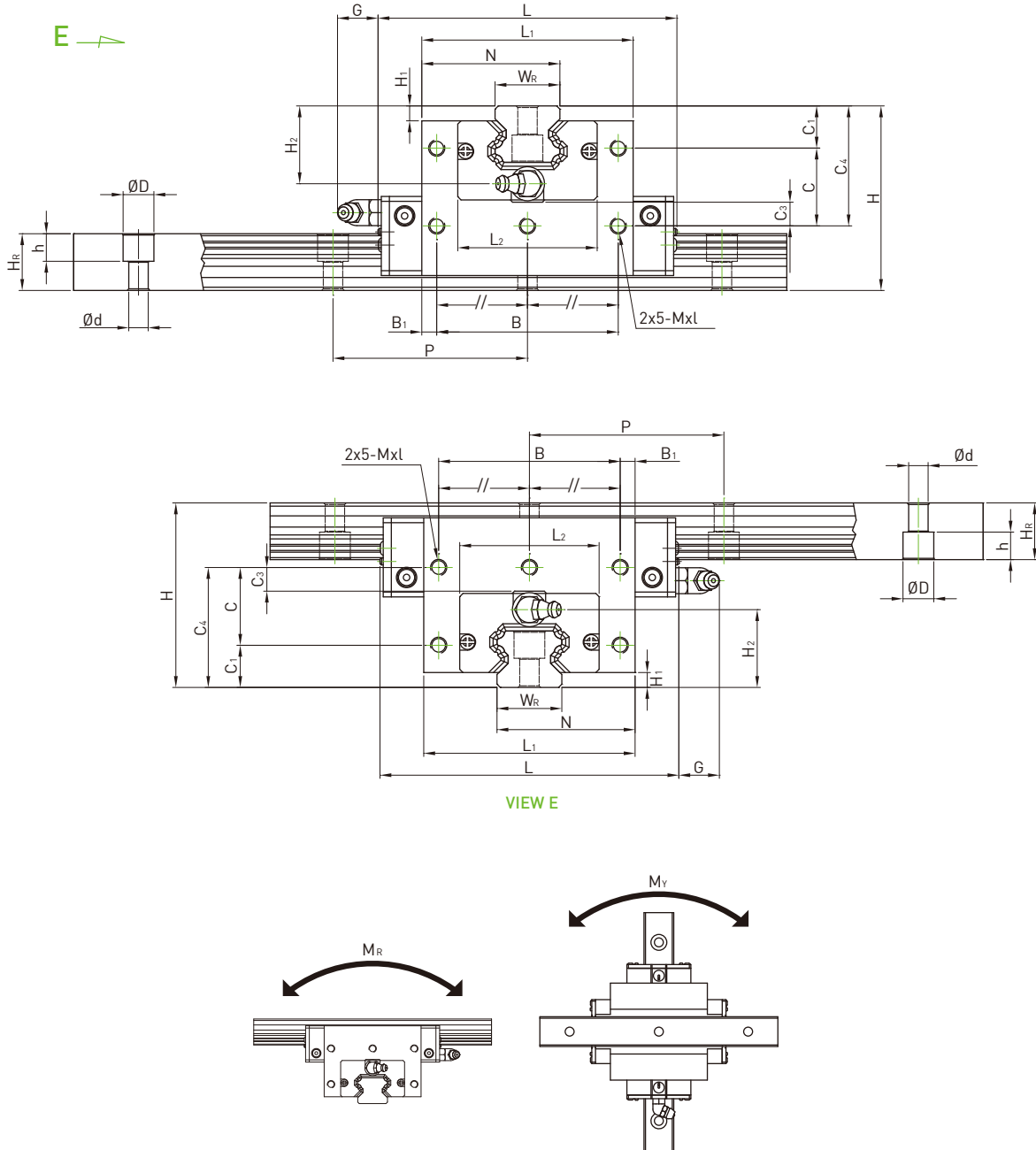
AG 25 H E 2 R 1000 E / R 500 E Z0 P II + DD/E2/RC



Note :

1. The roman numerals express a matched set of rails.
2. No symbol indicates standard protection(end seal and bottom seal).

# Dimensions for AG-series



ModelNo.	Dimensions of Assembly (mm)			Dimensions of Block (mm)										Dimensions of Rail (mm)					Basic Dynamic Load Rating C [kN]	Basic Static Load Rating C <sub>0</sub> [kN]	Static Rated Moment				
	H	H <sub>1</sub>	N	L	L <sub>1</sub>	L <sub>2</sub>	B	B <sub>1</sub>	C	C <sub>1</sub>	C <sub>3</sub>	C <sub>4</sub>	M x l	H <sub>2</sub>	G	W <sub>R</sub>	H <sub>R</sub>	D			h	d	P	M <sub>R</sub> kN-m	M <sub>Y</sub> kN-m
AG20H	57	4.6	42.6	92.2	65.2	43	56	4.6	24	13	7.2	37	M5 x 8	24	12	20	17.5	9.5	8.5	6	60	32.7	47.96	0.35	0.35
AG25H	70	5.5	50.8	104.6	78.6	46.4	64	7.3	26	18	8.2	44	M6 x 10	30	12	23	22	11	9	7	60	42.2	69.07	0.56	0.57
AG30H	82	6	60.5	120.4	93	58	76	8.5	32	21	11.2	53	M6 x 10	58	12	28	26	14	12	9	80	58.6	93.99	0.88	0.92

## Subsidiaries / Research Center

---

**HIWIN GmbH**  
OFFENBURG, GERMANY  
www.hiwin.de  
www.hiwin.eu  
info@hiwin.de

**HIWIN JAPAN**  
KOBE · TOKYO · NAGOYA · NAGANO ·  
TOHOKU · SHIZUOKA · HOKURIKU ·  
HIROSHIMA · FUKUOKA · KUMAMOTO,  
JAPAN  
www.hiwin.co.jp  
info@hiwin.co.jp

**HIWIN USA**  
CHICAGO, U.S.A.  
www.hiwin.com  
info@hiwin.com

**HIWIN Srl**  
BRUGHERIO, ITALY  
www.hiwin.it  
info@hiwin.it

**HIWIN Schweiz GmbH**  
JONA, SWITZERLAND  
www.hiwin.ch  
info@hiwin.ch

**HIWIN s.r.o.**  
BRNO, CZECH REPUBLIC  
www.hiwin.cz  
info@hiwin.cz

**HIWIN SINGAPORE**  
SINGAPORE  
www.hiwin.sg  
info@hiwin.sg

**HIWIN KOREA**  
SUWON · MASAN, KOREA  
www.hiwin.kr  
info@hiwin.kr

**HIWIN CHINA**  
SUZHOU, CHINA  
www.hiwin.cn  
info@hiwin.cn

**Mega-Fabs Motion**  
Systems, Ltd.  
HAIFA, ISRAEL  
www.mega-fabs.com  
info@mega-fabs.com

# HIWIN®

## HIWIN TECHNOLOGIES CORP.

No. 7, Jingke Road,  
Taichung Precision Machinery Park,  
Taichung 40852, Taiwan  
Tel: +886-4-23594510  
Fax: +886-4-23594420  
www.hiwin.tw  
business@hiwin.tw

- 
- HIWIN is a registered trademark of HIWIN Technologies Corp. For your protection, avoid buying counterfeit products from unknown sources.
  - Actual products may differ from specifications and photos provided in this catalog. These differences may be the result of various factors including product improvements.
  - HIWIN will not sell or export products or processes restricted under the "Foreign Trade Act" or related regulations. Export of restricted products should be approved by proper authorities in accordance with relevant laws and shall not be used to manufacture or develop nuclear, biochemical, missiles or other weapons.
  - HIWIN website for patented product directory: [http://www.hiwin.tw/Products/Products\\_patents.aspx](http://www.hiwin.tw/Products/Products_patents.aspx)

The specifications in this catalog are subject to change without notification.

Copyright © HIWIN Technologies Corp.

©2019 FORM G22DE02-1902 (PRINTED IN TAIWAN)