

# HIWIN LAS Series (1)

LAS

CE



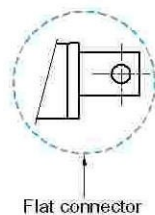
|                       |            |
|-----------------------|------------|
| Screw type            | ACME       |
| Weight*               | 0.86 kg    |
| Protection            | IP 54      |
| Compatible controller | LAK2       |
| Working temp          | +5°C ~40°C |

\* Stroke length 200 mm

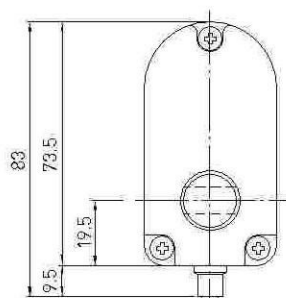
\* Option: [1] IP65

[2] Gear box housing turned 90°

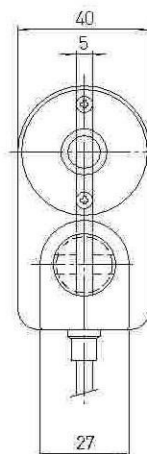
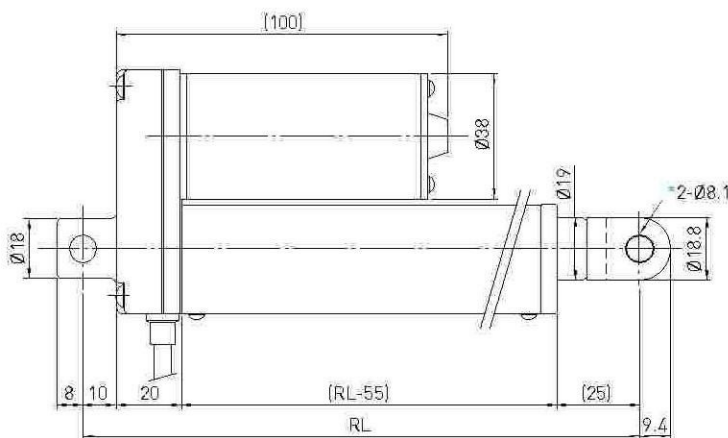
[3] Rod end with flat connector (RL=S+110)



- RL=S+119
- RL: Retracted length
- S: Stroke length

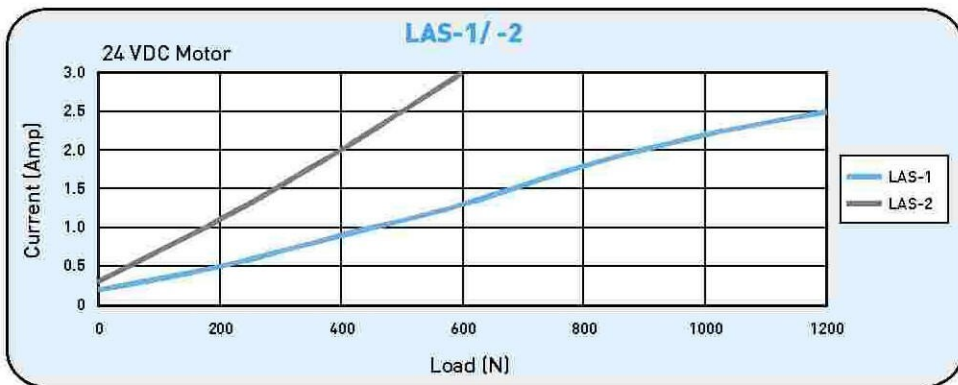


MOTOR CABLE  
MOTOR CABLE LENGTH=1M  
MOTOR CABLE DIAMETER=Ø5

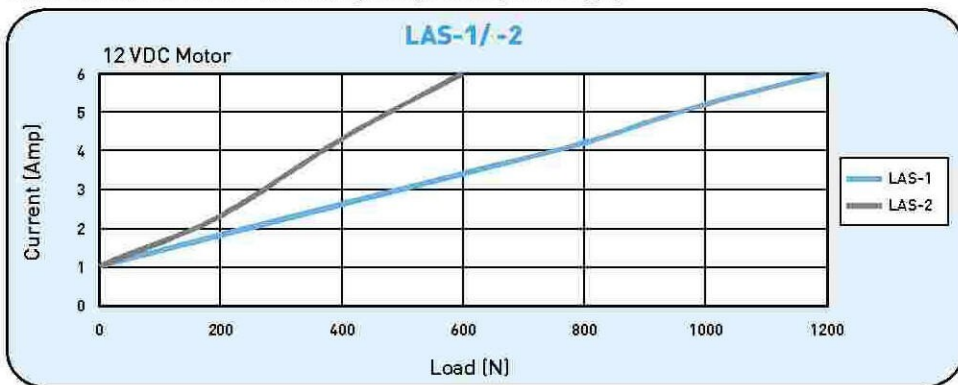


## ● LAS Specifications

| Model | Thrust max. (N) | Pulling max. (N) | Holding max. (N) | Speed (mm/s) |        | Standard stroke (mm) : S |     |     |     |     | Duty cycle % | Max.current (A) |       |
|-------|-----------------|------------------|------------------|--------------|--------|--------------------------|-----|-----|-----|-----|--------------|-----------------|-------|
|       |                 |                  |                  | Load=Max     | Load=0 | 50                       | 100 | 150 | 200 | 250 |              | 12VDC           | 24VDC |
| LAS-1 | 1200            | 1200             | 800              | 8            | 12     | 50                       | 100 | 150 | 200 | 250 | 10           | 6               | 2.5   |
| LAS-2 | 600             | 600              | 300              | 16           | 25     | 50                       | 100 | 150 | 200 | 250 | 10           | 6               | 3     |



Note: The test results are obtained by using 24VDC power supply.



Note: The test results are obtained by using 12VDC power supply.

## ● Ordering Information

**LAS** - **1** - **1** - **200** - **24 E**

Model number

1: Basic model complete  
with internal limit switches

Stroke length

Special models according to  
Client's requirement  
(Ignore this part of the serial  
number if not available)

Voltage