

# HIWIN LAM Series (1)

LAM

CE



Screw type	Ball screw / ACME
Weight*	2.2 kg
Protection	IP 54
Compatible controller	LAK2/LAK2L
Working temp	+5°C ~40°C

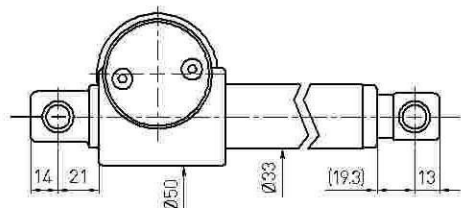
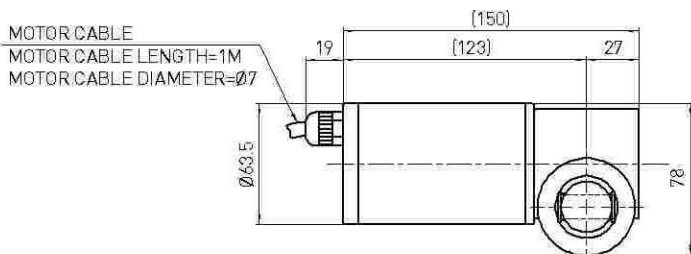
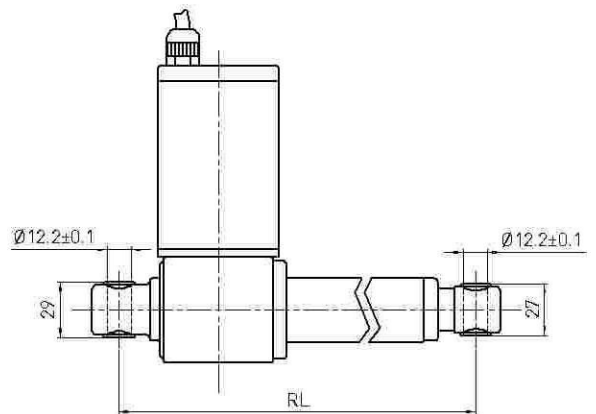
\* Stroke length 100 mm

\* Option: (1) IP65

(2) Gear box material : S45C (Standard: AL)

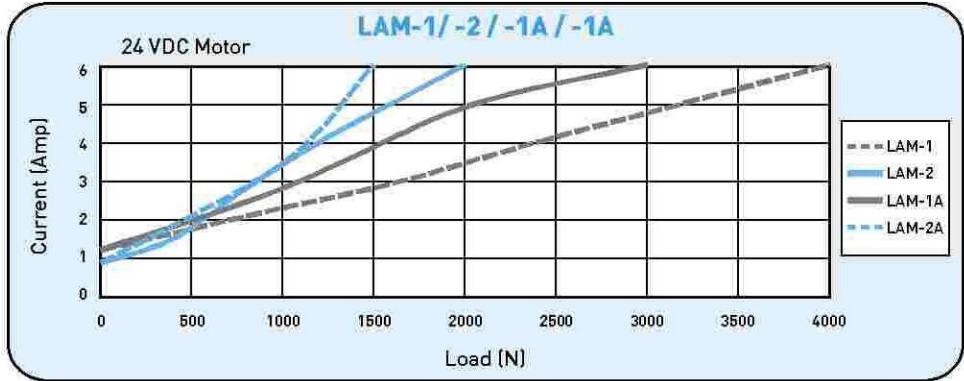
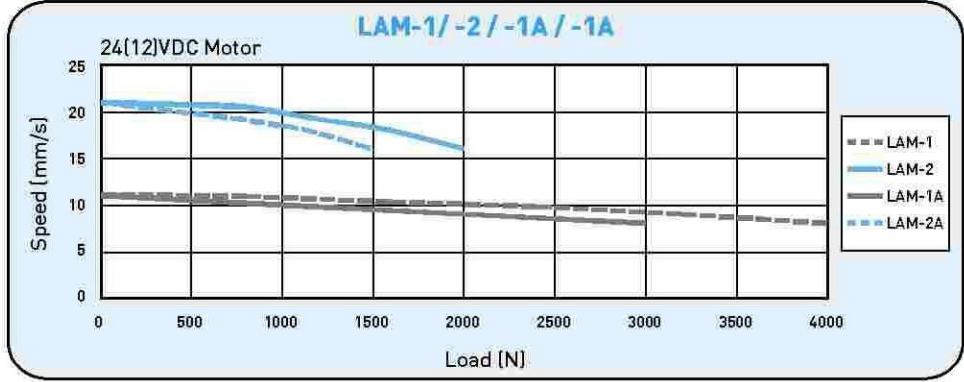
(3) Gear box housing turned 90°

- RL=S+153 [LAM-1/-2]
- RL=S+162 [LAM-1A/-2A]
- RL:Retracted length
- S:Stroke length

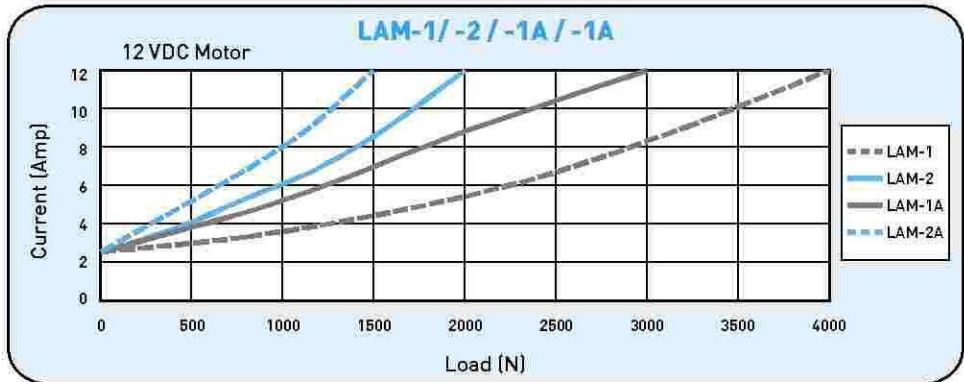


# ● LAM Specifications

Model	Screw type	Thrust max. (N)	Pulling max. (N)	Holding max. (N)	Speed (mm/s)		Standard stroke (mm) : S	Duty cycle %	Max. current (A)	
					Load=Max.	Load=0			12VDC	24VDC
LAM-1	Ballscrew	4000	3000	4000	8	11	100 150 200 250 300 350 400	10	12	6
LAM-2	Ballscrew	2000	2000	1200	16	21	100 150 200 250 300 350 400	10	12	6
LAM-1A	ACME	3000	3000	3000	8	11	100 150 200 250 300 350 400	10	12	6
LAM-2A	ACME	1500	1500	1500	16	21	100 150 200 250 300 350 400	10	12	6



Note: The test results are obtained by using 24VDC power supply.



Note: The test results are obtained by using 12VDC power supply.

# ● Ordering Information



Model number  
[Ballscrew:1,2]  
[ACME:1A,2A]

0:Basic model (without magnet)  
1:Complete with external limit switches

Stroke length

Special models according to Client's requirement  
[Ignore this part of the serial number if not available]

Voltage