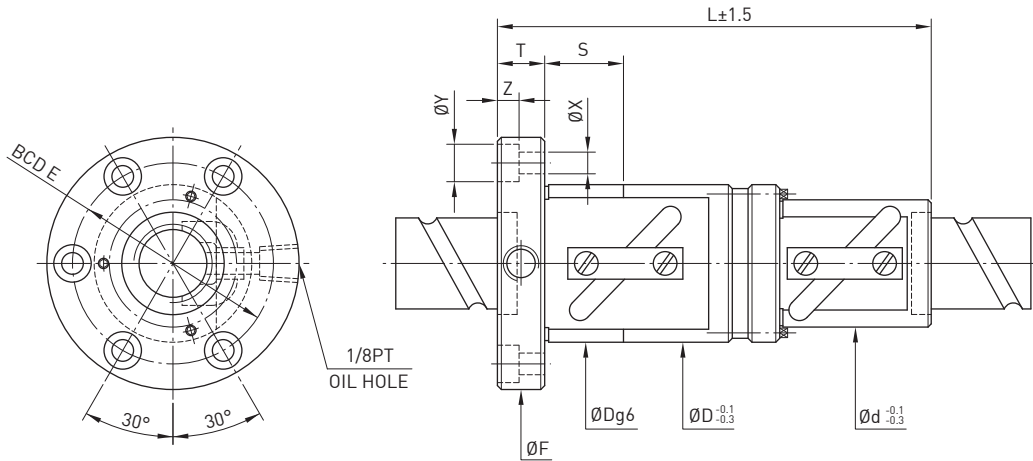
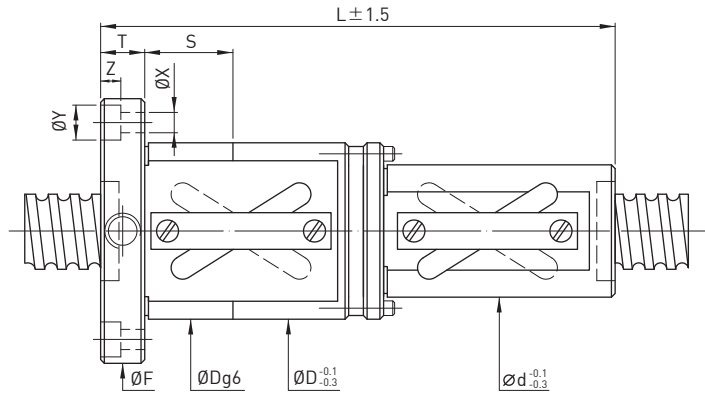
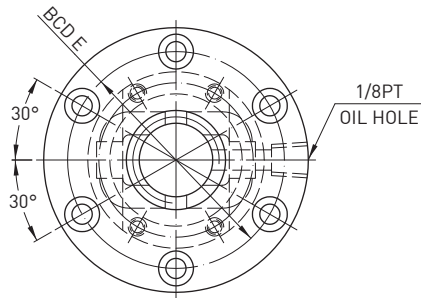


P F D W TYPE 2


Model	Size		Ball Dia.	PCD	RD	Circuits	Stiffness kgf / μm K	Dynamic Load 1×10^6 revs C (kgf)	Static Load Co (kgf)	Nut			Flange			Bolt			Fit	
	Nominal Dia.	Lead								D	d	L	F	T	BCD-E	X	Y	Z		S
20-20A1	20	20	3.969	20.8	16.744	1.5x1	26	719	1281	48	36	140	72	12	59	5.5	9.5	5.5	24	
25-16B1	25	16	4.763	26	21.132	2.5x1	56	1592	3237	62	45	148	89	16	75	6.6	11	6.5	24	
25-20B1		20		26	21.132	2.5x1	56	1592	3237	62	45	178	89	16	75	6.6	11	6.5	24	
25-25A1	25	26		21.132	1.5x1	32	1019	1927	62	45	166	89	16	75	6.6	11	6.5	24		
32-20B1	32	20		33	28.132	2.5x1	66	1810	4227	68	54	181	102	16	84	9	14	8.5	30	
32-25B1		25		33	28.132	2.5x1	66	1810	4227	68	54	218	102	16	84	9	14	8.5	30	
32-32A1	32	32		33	28.132	1.5x1	36	1154	2505	68	54	205	102	16	84	9	14	8.5	30	
40-25B1	40	25	6.350	41.4	34.91	2.5x1	78	2959	7069	84	65	224	126	18	104	11	17.5	11	30	
40-32B1		32		41.4	34.91	2.5x1	78	2959	7069	84	65	276	126	18	104	11	17.5	11	30	
40-40A1	40	41.4		34.91	1.5x1	48	1875	4159	84	65	274	126	18	104	11	17.5	11	30		
50-40A1	50	40		7.938	51.8	43.688	1.5x1	54	2801	6499	106	82	264	152	22	128	13	20	13	40
50-50A1		50			51.8	43.688	1.5x1	60	2801	6499	106	82	320	152	22	128	13	20	13	40

Remark : Stiffness values listed above are derived from theoretical formula while preload is 10% of dynamic load rating.

P F D W TYPE



Model	Nominal Dia.	Lead	Circuits	Nut Type	Dynamic Load 1×10^6 revs C (kgf)	Static Load Co (kgf)	Ball Dia.	牙口數	D	d	L	F	T	BCD-E	X	Y	Z	S
36-20B2	36	20	2.5x2	PFDW	5447	13597	6.35	2	94	76	191	136	18	114	11	17.5	11	30
40-25B2	40	25	2.5x2	PFDW	6743	17002	7.144	2	98	80	230	140	18	118	11	17.5	11	30
40-30B2		30	2.5x2	PFDW	6743	17002	7.144	2	98	80	250	140	18	118	11	17.5	11	30
40-32B3	45	32	2.5x3	PFDW	7771	21823	6.35	3	96	78	270	142	22	118	13	20	13	30
45-25B2		25	2.5x2	PFDW	6991	19186	7.144	2	101	83	230	143	18	121	11	17.5	11	30
45-30B2	50	30	2.5x2	PFDW	6991	19186	7.144	2	101	83	250	143	18	121	11	17.5	11	30
45-32B3		32	2.5x3	PFDW	7857	24730	6.35	3	98	80	270	144	22	120	13	20	13	30
50-25B2	55	25	2.5x2	PFDW	7033	21370	7.144	2	103	85	230	145	18	123	11	17.5	11	40
50-30B2		30	2.5x2	PFDW	7033	21370	7.144	2	103	85	250	145	18	123	11	17.5	11	40
50-32B3	55	32	2.5x3	PFDW	8148	27525	6.35	3	101	83	270	147	22	123	13	20	13	40
55-25B2		25	2.5x2	PFDW	7518	23553	7.144	2	105	87	230	147	18	125	11	17.5	11	40
55-30B2	55	30	2.5x2	PFDW	7518	23553	7.144	2	105	87	250	147	18	125	11	17.5	11	40
55-32B3		32	2.5x3	PFDW	8332	30207	6.35	3	103	85	270	149	22	125	13	20	13	40

Remark : Stiffness values listed above are derived from theoretical formula while preload is 10% of dynamic load rating.